

# INFINISCAN™

World class biometric identification system



- Photo-ID
- Web Server
- Daylight Saving
- Anti-pass back

## **iS680** Multimedia Fingerprint T&A and Access Control Terminal

INFINISCAN™ iS680 Fingerprint Access Control and Time & Attendance Terminal bring in comfort and luxury features by a 3.5" TFT high-density display color monitor. Advanced integrated camera allowing user's photo to be recorded and displayed during authentication process.

For more convenient and better management purpose, embedded web server was created so that data can be tracked and monitored anytime anywhere via internet browser. With additional features on top of the standard role functions includes work code, T9 input method, short message, bell scheduling and daylight saving allow you to manage in the way you desired.

Optional integrated Wi-Fi or GPRS module available for wireless communication as the most advanced Fingerprint Access Control and Time & Attendance Terminal.

[www.infiniscan.com/](http://www.infiniscan.com/)

**Get the SECURITY**  
for your enterprise



### Fingerprint

Fingerprint reader, a tool to scan fingerprint for identity verification. Enrolled fingerprint are stored in the system, without presence of the genuine fingerprint, no access can be acquired.



### RF Card (Optional)

RFID Card system as an alternative verification method, a combination of fingerprint, proximity card and password identification methods are available in INFINISCAN™ iS680 series for user's comfort.



### TCP/IP Method

INFINISCAN™ iS680 series installed with TCP/IP as a communicator between reader and computer that supports real-time data transfer for easy and efficient data management.



### Smart Recognition Algorithm

Manage one-to-one (1:1) and one-to-many (1:N) verifications of maximum 3,000 templates. INFINISCAN™ iS680 series allows 360° rotation fingerprint placement with less than 2 seconds for identity authentication.



### Authentication

Multi-Verification methods of 14 different combinations with Fingerprint, Card with Password or ID with Password, or a combination of all to enhance security protection.



### Voice

Geniality greeting voice system to instruct the user for device operation.



### High Speed USB Data Transfer

USB Host/Client for easy and sufficient data exchange between reader and reader/computer without complicated use of software and procedures. Works effectively as a standalone unit, performs excellently for data transfer in case of connection breakdown.



### 3.5 inch TFT

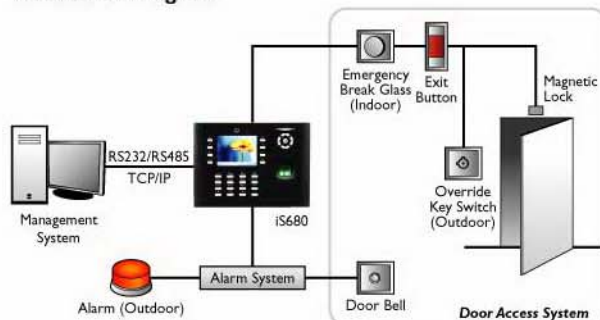
3.5 inch high-definition color LCD enables INFINISCAN™ iS680 series to display graphical interfaces. Photo of the enrolled user will be displayed upon successful identity verification.



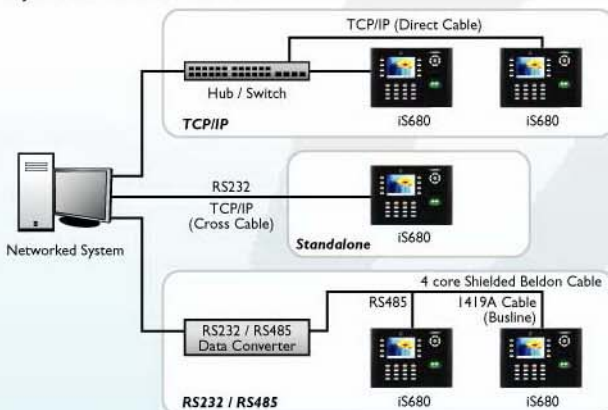
### Wiegand In/Out

INFINISCAN™ iS680 series equipped with Wiegand Input/Output communication to incorporate with any third party readers or door access controllers for better Access Control management.

### Installation Diagram



### System Communication



Specification	iS680
Display	3.5" TFT 65,000 true color Resolution 320x240
Camera	Yes
LED indicator/Buzzer	2 LED(Red/Green) / 1 Buzzer
Display Language	English
Greeting Voice	Standard: English Upon Request: Multinational Language
Keypad & button	16 alphanumeric keys 8 programmable function keys 4 Navigation Keys
Dimension	205 x 150 x 42mm
<b>Sensor</b>	
Sensor Type / Resolution	Optical (500 dpi)
Sensing Area	18mm x 22 mm
<b>Storage Capacity</b>	
Fingerprint Templates	3,000
Transaction	100,000
<b>RF reader</b>	
ID Card: 125 KHZ	Optional
MIFARE: 13.56 MHz	Optional
HID	Optional
<b>Communications</b>	
RS-232/485	YES
TCP/IP	YES
USB Client	YES
USB Host	YES
Wi-Fi / GPRS	Optional
Wiegand	26 bits Input / Output
<b>Access Control</b>	
Alarm Output	NO & NC ALARM
EM lock driving output	Yes
Antipassback	Yes
<b>Time Attendance</b>	
Schedule Bell	Yes
Work Code	Yes
<b>Operation Environment</b>	
Power Consumption	DC 12V, 3A
Temperature	0 ~ 45
Humidity	20% ~ 80%
<b>Verification</b>	
1:1 (Time)	<0.5 sec
1:N (Time)	<2 sec
FAR	0.0001%
FRR	1%
Standards Compliance	CE, FCC

Standard Function : Photo ID, web server, Work Code, SMS, Schedule Bell, Daylight saving, T9 input, Function key

More Optional Function : WI-Fi GPRG, ID card, Mifare Card, HID Card, HID iClass Card, 12V UPS

For distributors

AL FARKD TRADING EST  
Tel: 22405100, 22405150 Fax: 22450866  
E-Mail: sales@alfarkad.com  
Web site: www.alfarkad.com

**INFINISCAN™ LIMITED**

Block D, 2/F., Wah Shun Industrial Building,  
4 Cho Yuen Street, Yau Tong Bay, Kowloon, Hong Kong.  
Tel : (852) 3586 9192 Fax : (852) 2772 7194

E-mail : sales@infiniscan.com Website : http://www.infiniscan.com